

KISTOCK DATALOGGER
KT 220 / KH 220 / KTT 220

/ / / / / /



- / 가
-
- 1,000,000
- (1 18,000)
- 5 가
- 2 가
- 2 lines LCD screen
-
- IP65 housing (KT 220)

		Number	Type	Number	Type		
KT 220 - O	Yes	1		1	Input for universal probe*	, , , ,	1 000 000
KT 220 - N	No						
KH 220 - O	Yes	3	,			, , , ,	
KH 220 - N	No						
KTT 220 - O	Yes		-	2			
KTT 220 - N	No						

* Input which allows to plug different compatible probes: see the optional probes and cables page 3.

93.2 x 65.2 x 30.5 mm

1 OK key
1 Selection key

IP65: KT 220

115 g

ABS housing

PC
1 micro-USB input

2 lines LCD screen
(for models with display)
Dimensions of screen: 39 x 34 mm
2 indication LEDs (red and green)

1 AA lithium 3.6 V battery

, 가
Hygrometry: from 0 to 95 %RH
Maximum altitude: 2000 m

TECHNICAL FEATURES

	KT 220	KH 220	KTT 220
	°C, °F, °Ctd, °Ftd, %HR, mV, V, mA, A, bar ¹	°C, °F, °Ctd, °Ftd, %HR, lux, fc, mV, V, mA, A, bar ¹	°C, °F
	0.1 °C, 0.1 °F, 0.1 %HR, 1 mV, 0.001 V, 0.001 mA, 0.1 A, 0.1 bar	0.1 °C, 0.1 °F, 0.1 %HR, 1 lux, 0.1 fc, 1 mV, 0.001 V, 0.001 mA, 0.1 A, 0.1 bar	0.1 °C, 0.1 °F
	Female micro-USB connector		
	1 universal input ²	1 universal input ²	2 inputs for thermocouple probes (K, J, T, N, S)
		/ /	
	CTN	Temperature and humidity: CMOS. Light: photo-diode	Thermocouple
	From -40 to +70 °C	_____ from -20 to +70 °C _____ from 5 to 95 %RH _____ from 0 to +10 000 lux	K: from -200 to +1300 °C J: from -100 to +750 °C T: from -200 to +400 °C N: from -200 to +1300 °C S: from 0 to 1760 °C
3	±0.4 °C (-20 °C<T<+70 °C) ±0.8 °C (beyond)	From -20 to 0 °C: ±(2% of the reading +0.6 °C) From 0 to 30 °C: ±0.5 °C From 30 to 70 °C: ±1.5 % of the reading Accuracy (Repeatability, linearity, hysteresis): ±2% RH (from 15 °C to 25 °C) Factory calibration uncertainty: ±0.88 %RH Temperature dependence: ±0.04 x (T-20) %RH (if T≤15 °C or T≥25 °C) _____ ±10 % of the reading +10 lux	K, J, T, N: From -200 to 0 °C : ±0.4 °C ±0.3 % of the reading From 0 to 1300 °C : ±0.4 °C S: ±0.6 °C
		2 가	
		1 ~ 24	
	From -40 to +70 °C	From -20 °C to 70 °C From -40 to +85 °C	From -20 °C to 70 °C
		4 years ⁴	
	2011/65EU RoHS II ; 2012/19/EU WEEE ; 2004/108/EC EMC ; 2006/95/EC		

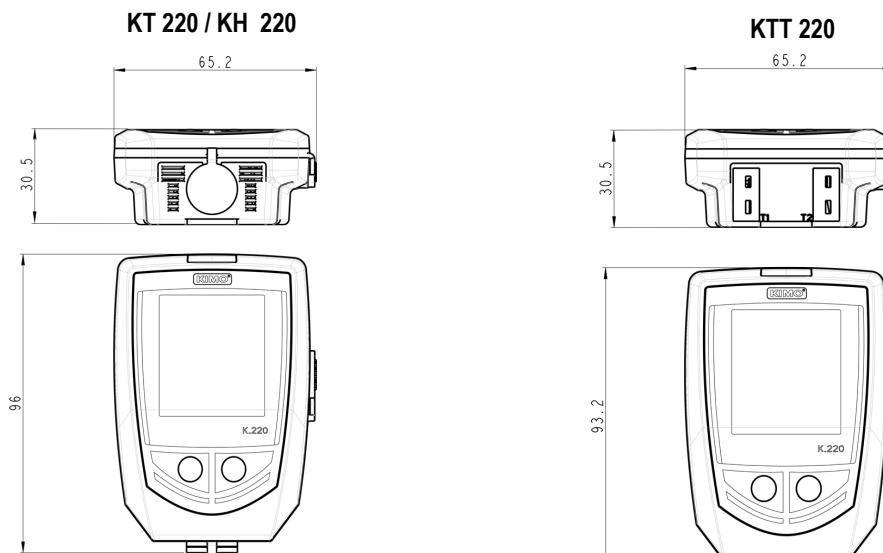
¹ Some units are available only with optional probes.

² Input which allows to plug different compatible probes: see optional probes and cables page 3.

³ All accuracies indicated in this document were stated in laboratory conditions and can be guaranteed for measurement carried out in the same conditions, or carried out with calibration compensation.

⁴ On the basis of 1 measurement each 15 minutes at 25 °C.

DIMENSIONS (mm)



CONNECTIONS

KT 220 / KH 220



KTT 220



OPTIONAL PROBES AND CABLES¹

NTC	
' , ' ,	
(가)	

¹For more details, please see the "Measuring probes for KISTOCK dataloggers class 220" and "Thermocouple probes" datasheets.

RECORDER FUNCTION

5가

-
-
-

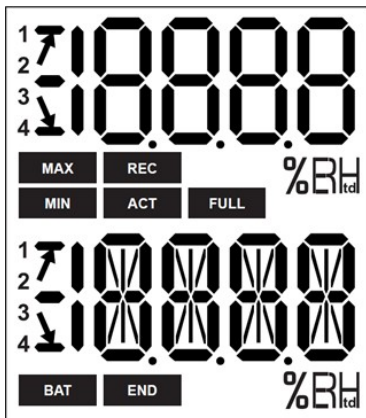
4가

-
-
- OK PC 가
-

6가

-
-
-
- 가 가
-
- OK ()

DISPLAY



END

REC

FULL

BAT

ACT

MIN

MAX



°C

°F

%RH

:
:
:
:
:
80~90%
90~100%
100%

/

/

1
2
3
4

SOFTWARE



- **KILOG LITE:** free software to download on the KIMO website (kimo.fr). Allows the data download (graphics and points statement) and the datalogger configuration.



- **Configuration and data processing software**
KILOG software allows to configure, save and process your data in a very simple way.
- Software only: Ref. *KILOG-3-N*
- Complete set: software + 1 USB cable, Ref. *KIC-3-N*

ACCESSORIES

	Part numbers	Illustrations
AA	KBL-AA	
	KAV-220	
Wired extension for class 220 KISTOCK probes In polyurethane, 5 m length with male and female mini-DIN connectors <u>Note:</u> several extensions can be wired in order to obtain up to 25 m cable length	KRGB-5	
Data collector Collects up to 20 000 000 points from one or several KISTOCK directly on-site. Results restitution on PC of realised datasets	KNT-320	
USB micro-USB cable which allows to plug your KISTOCK datalogger to your PC	CK-50	
	KDC	



Only the accessories supplied with the device must be used.

CALIBRATION

A calibration certificate is available as option in paper format.
We recommend to carry out a yearly checking.

MAINTENANCE

Please avoid any aggressive solvent.
Please protect the device and probes from any cleaning produce containing formalin, that may be used for cleaning rooms and ducts.

GUARANTEE PERIOD

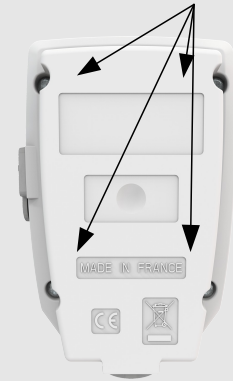
KISTOCK dataloggers have 1-year guarantee for any manufacturing defect (return to our After-sales service required).

PRECAUTIONS FOR USE

Please always use the device in accordance with its intended use and within parameters described in the technical features in order not to compromise the protection ensured by the device.

MOUNTING

The KT 220, KH 220 and KTT 220 KISTOCK have a magnetic mounting, so you can fix it easily.



REPLACE THE BATTERY



With 4 years* of battery life, the KISTOCK devices guarantee long-term measurements.

To replace the battery:

- Unscrew the 4 screws on the back side of the device with a screwdriver.
- Remove the back side and the old batteries.
- Insert the new battery and respect the polarity.
- Replace the back side and the 4 screws.

* On the basis of 1 measurement each 15 minutes at 25 °C.



BE CAREFUL! Material damages can happen, so please apply the precautionary measures indicated.



Once returned to KIMO, required waste collection will be assured in the respect of the environment in accordance to guidelines relating to WEEE.

www.kimo.fr

Distributed by :



EXPORT DEPARTMENT

Tel : + 33. 1. 60. 06. 69. 25 - Fax : + 33. 1. 60. 06. 69. 29

e-mail : export@kimo.fr